



INSTALLATION INSTRUCTIONS

Accessory

PANNIER SUPPORT STAY
P/N 08L75-MKT-D00

Application

ADV750

Publication No.

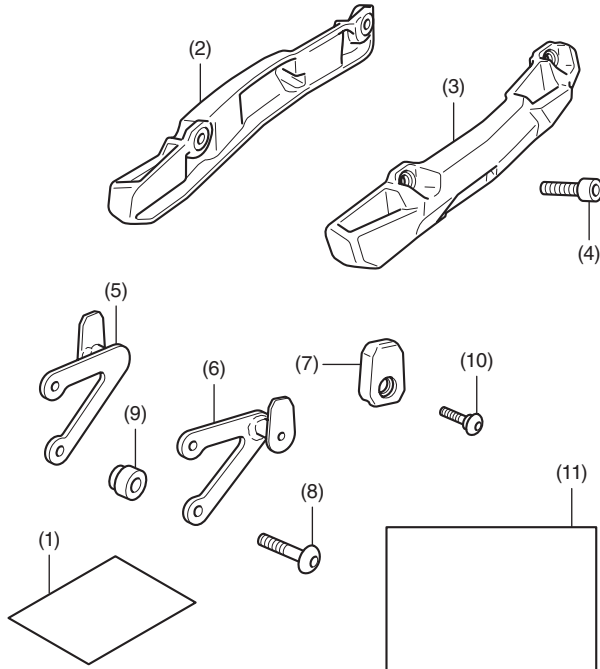
MII

Issue Date

September 2020

Honda Dealer: Please give a copy of these instructions to your customer.

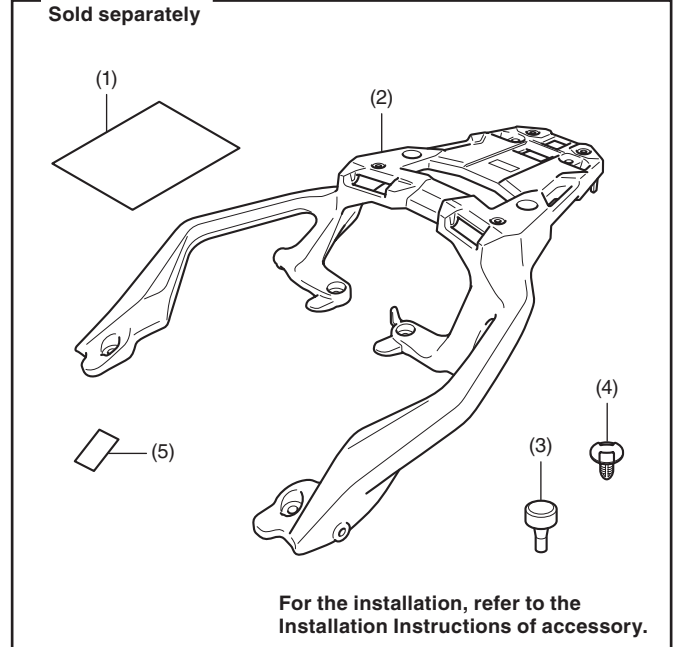
PARTS LIST



No.	Description	Qty
(1)	URL paper	1
(2)	Right pannier bracket	1
(3)	Left pannier bracket	1
(4)	8 mm socket bolt (short)	4
(5)	Right pannier support stay	1
(6)	Left pannier support stay	1
(7)	Rubber	2
(8)	8 mm socket bolt (long)	4
(9)	Collar	4
(10)	6 mm screw	2
(11)	Protector seal	1

REAR CARRIER

Sold separately



No.	Description	Qty
(1)	URL paper	1
(2)	Rear carrier	1
(3)	Stopper rubber	4
(4)	Clip (Not used.)	4
(5)	Protection film	2

TOOLS AND SUPPLIES REQUIRED

Hex wrench (5 and 6 mm)

Marker

Scale

Tape

Scissors

Isopropyl alcohol

Shop towel

Torque wrench

TORQUE CHART

Tighten all screws, bolts, and nuts to their specified torque values. Refer to the Service Manual for the torque values of the removed parts.

Item	N-m	kgf-m	lbf-ft
6 mm screw	9	0.9	6.6
8 mm socket bolt	27	2.8	20

MAXIMUM LOADING CAPACITY

- The weight of the cargo must not exceed the following maximum loading capacity:

Maximum Loading Capacity	
Right pannier case	6.0 kg (13.2 lb)
Left pannier case	6.0 kg (13.2 lb)

INSTALLATION

⚠ CAUTION

- To prevent burns, allow the engine, exhaust system, radiator, etc., to cool before installing the accessory.

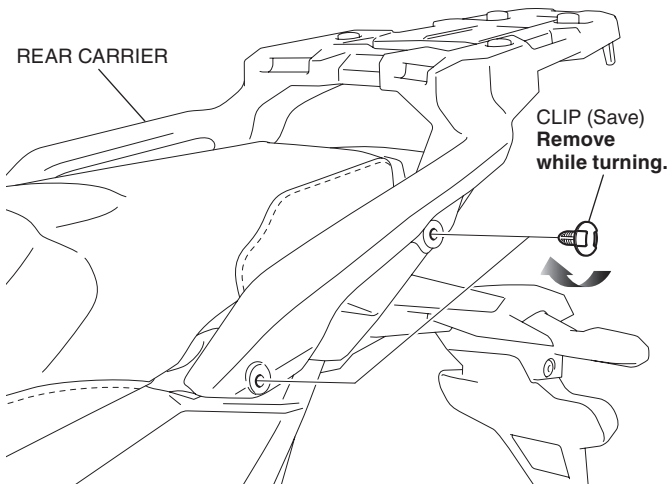
NOTE:

- Heat the bonding surfaces with a hair dryer if the ambient air temperature is below 70°F (21°C).
- The adhesive reaches full strength in 72 hours. Wait at least 24 hours before riding your motorcycle.

- Install the rear carrier (sold separately).
- Remove the clips as shown.

- Repeat on the right side.**

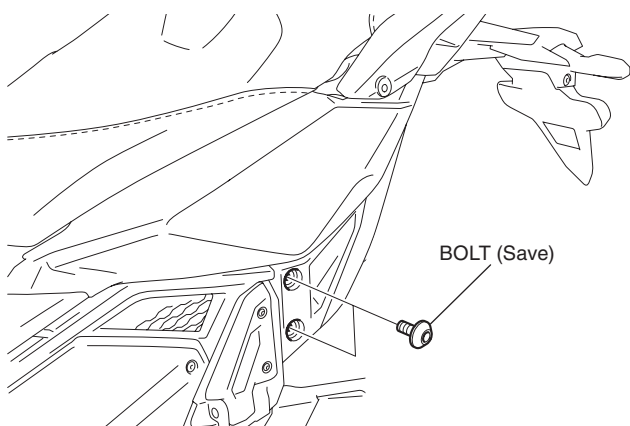
<Left side>



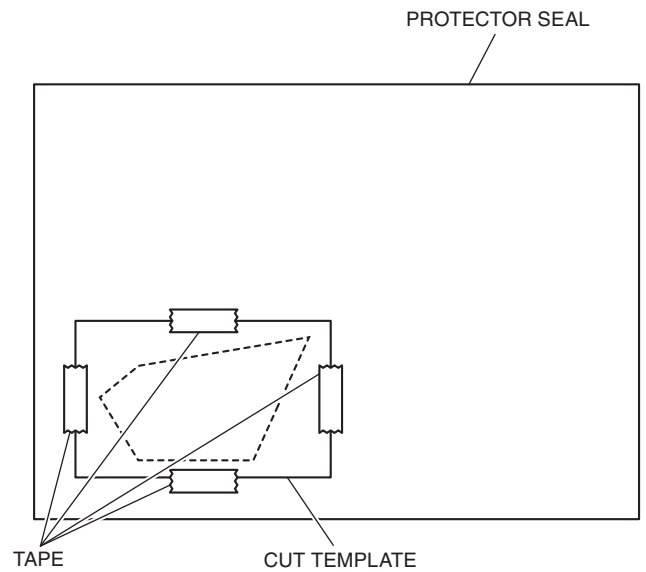
- Remove the bolts as shown.

- Repeat on the right side.**

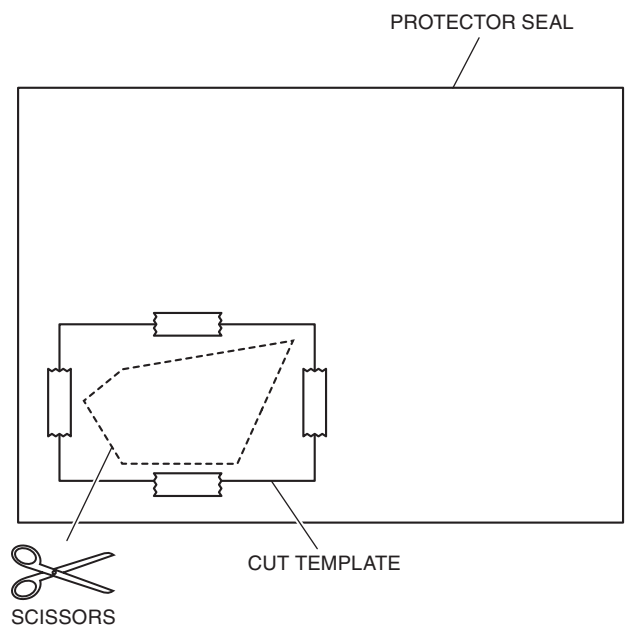
<Left side>



- Cut out the template along the solid line and attach it to the protector seal.

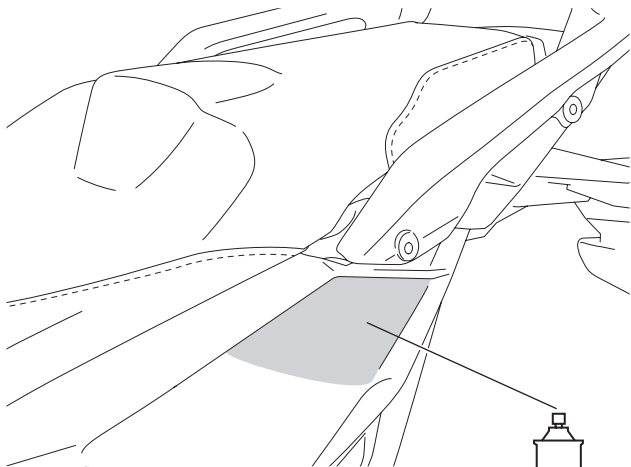


- Cut both the template and protector seal together along the dotted line as shown.



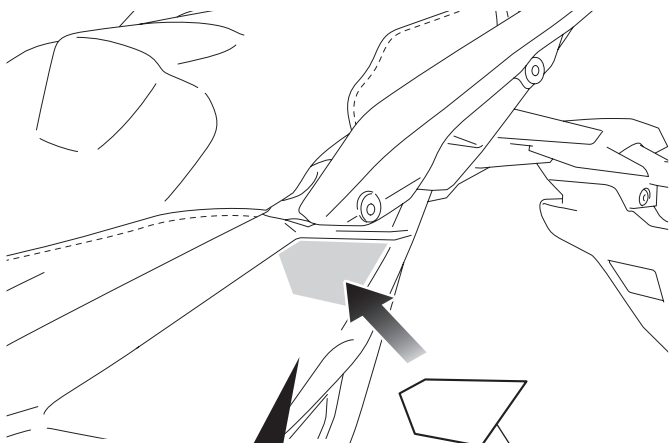
6. Clean the surface of the area shown using an isopropyl alcohol.

<Left side>

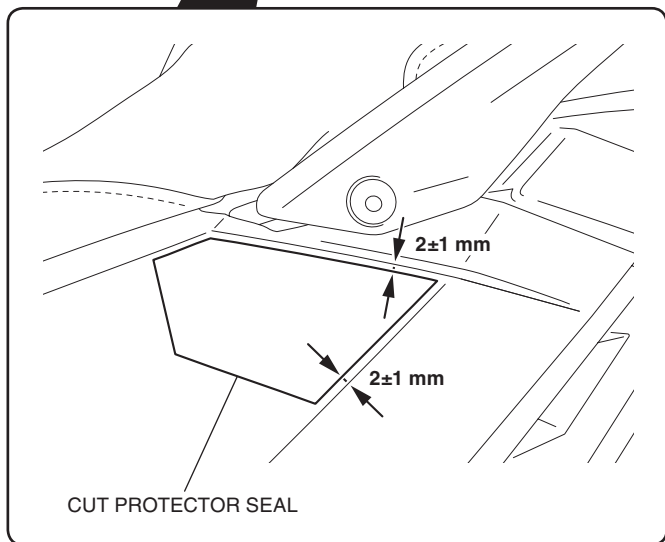


ISOPROPYL ALCOHOL

7. Attach the protector seal to the left rear cowl as shown.

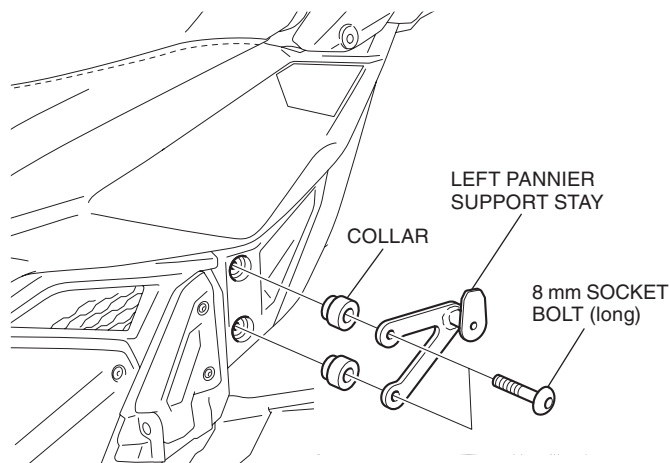


CUT PROTECTOR SEAL
Remove the adhesive backing before attaching.

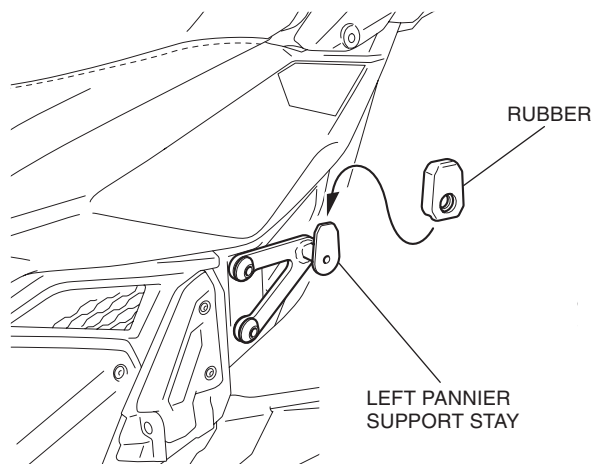


8. Install the left pannier support stay as shown.

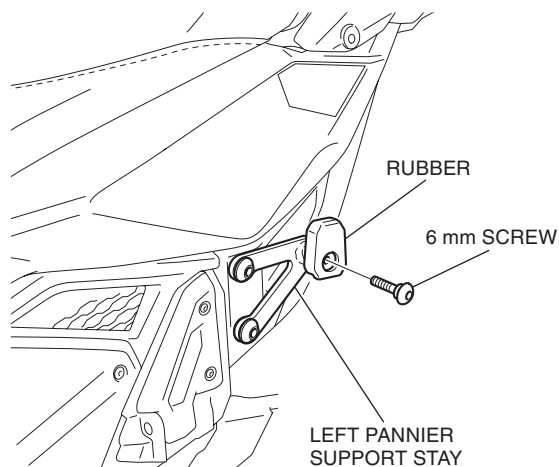
<Left side>



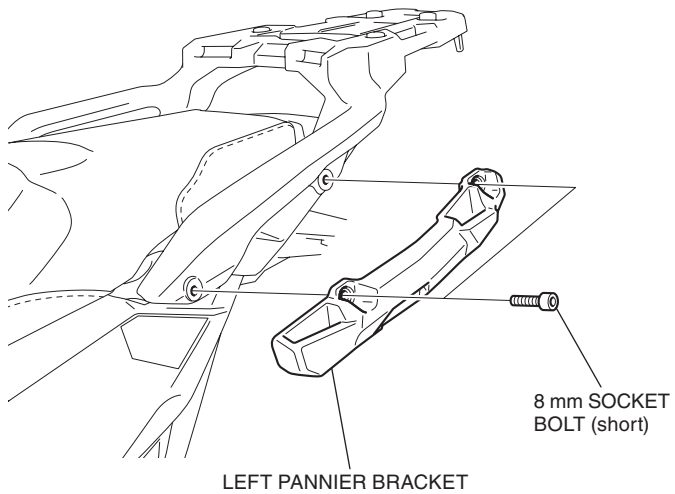
9. Insert the rubber as shown.



10. Install the 6 mm screw as shown.



11. Install the left pannier bracket as shown.



12. Install the right pannier support stay, rubber and right pannier bracket in the same manner as the left side.

13. Refer to the Genuine Accessory user's Guide that comes together with the pannier case, and install the pannier case according to the instruction.

<TEMPLATE>

